



AMS-Type unit from the non-secure side

AMS-Type Rotary Transfer Unit

The AMS-Type Rotary Transfer Unit is a manually operated unit for the transfer of bulk cash, bullion and other valuable loads, between secure and non-secure areas.

The unit has a large manually driven hatch that accepts Bank of England and Europallet cages, making the transfer of bulk valuables quick and convenient.

Installation is easy as this is a one piece unit, meaning it can usually be installed in a single day by our trained service technicians.



AMS-Type unit from the secure side

Key Features

- Simple one hand operation
- Virtually maintenance free
- Electronic speech transfer
- 1 tonne payload

Technical Specifications *

Load Capacities: Maximum Weight:	Standard: 1000mm(H) x 1000mm(W) x 1000mm(D) 1 tonne
Ballistic Protection: Alternatively:	BS EN 1063:2000 BR4 & BR6 (originally BS5051;1988:Pt 1 G2/S86 & R2) DIN52290 Part 2 C3SA & C5SA or UL3 & UL5 Part 1
Power Supply: Alternatively:	Single Phase 240V 13A 50Hz power supply. Supply to suit local requirements Designed and certified to CSA and UL electrical specification standards.
Communication:	Electronic speech transfer system, allowing clear communication between the secure and non-secure areas. With operator volume, mute switch to inhibit speech transfer and a call-for-attention button.
Health & Safety:	Anti-trap safety flaps are fitted to both the secure and non-secure sides of the unit. Health & Safety labelling and hazard warning strips are fitted as standard.
Construction Materials:	The main body and drum assembly are fabricated using folded and rolled sections of 6mm thick high tensile steel plates. All vision windows meet ballistic requirements.
Requirements:	Generally, the unit requires a wall opening 2015mm(H) x 1835mm(W) and a floor pit 125mm deep x 1835mm square internal footprint (secure side) - see specific product drawings

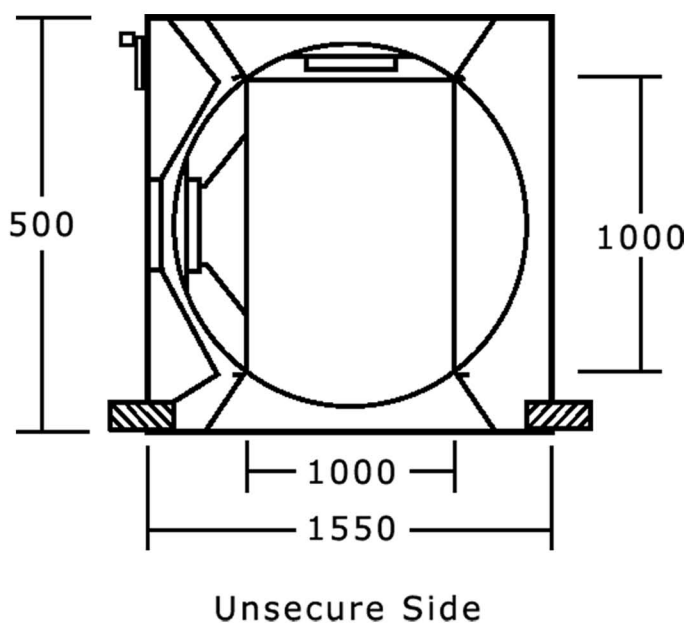
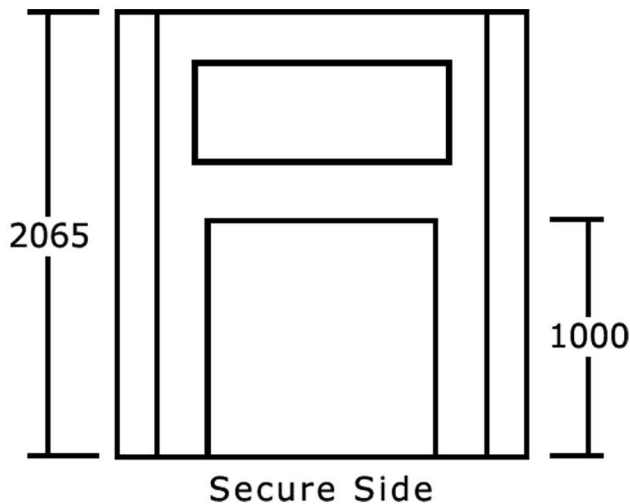
* Full technical specifications available on request

Additional Information

This unit was designed by our experienced in-house team as a simple and safe system for the transfer of bulk items.

These units can already be found throughout major UK and European banks, cash centres and other financial institutions, which is a testament to the effectiveness of the AMS-Type Rotary Transfer Unit.

In addition to this manually operated unit we also offer the A-Type Rotary Transfer Unit, a variant of the AMS-Type that incorporates a motor driven hatch.



Cross-Pavement
Solutions

Interlocking
Systems

Cash Transfer
Stations

Bullet Resistant
Screens & Partitions

Vehicle Systems

Armoured Security
Vehicles

Anti-Hostage
& Security Doors

Rotary Cash
Transfer Units for
internal & external
requirements

Cashier Desks

If you have any questions regarding this, or any other Johnson Security product, we invite you to contact our offices