



T-Type unit

## T-Type Rotary Transfer Unit

The T-Type Rotary Transfer Unit is a compact system designed for the movement of bulk cash or valuables between secure and non-secure areas within buildings.

With a simple single lever operation and a convenient load height, the T-Type is extremely user friendly for individuals in both the secure and non-secure areas.

The unit provides a high level of communication, with its identification window and an electronic speech transfer unit which includes a call button, operators mute button and DDA approved induction loop.

With no complex mechanical, electrical or interlocking systems the T-Type is virtually maintenance free, and comes with a 12 month warranty on all major components.

### Key Features

- Single lever operation with park lock
- Constant ballistic overlap
- Electronic speech transfer
- Fits standard internal walls

### Technical Specifications \*

|   |  |
|---|--|
| Load Capacities:                        | Standard: 650mm(H) x 250mm(W) x 400mm(D)   |
| Maximum Weight:                         | Approximately 200kg (depending on wall construction)   |
| Ballistic Protection:<br>Alternatively: | BS EN 1063:2000 BR4 (originally BS5051;1988:Pt 1 G2/S86)<br>DIN52290 Part 2 C3 SA or UL Level 3 Part 1   |
| Communication:                          | Electronic speech transfer system, allowing clear communication between the secure and non-secure sides. With operator volume, mute switch to inhibit speech transfer, a call-for-attention button and hearing induction loop. |
| Construction Materials:                 | The main body and drum assembly are fabricated using folded and rolled sections of 4mm thick high tensile steel plates and the vision window is a 42mm thick glass/polycarb laminate.  |
| Requirements:                           | The unit requires a wall opening 1310mm(H) x 300mm(W) and a 600mm internal footprint (secure side)   |

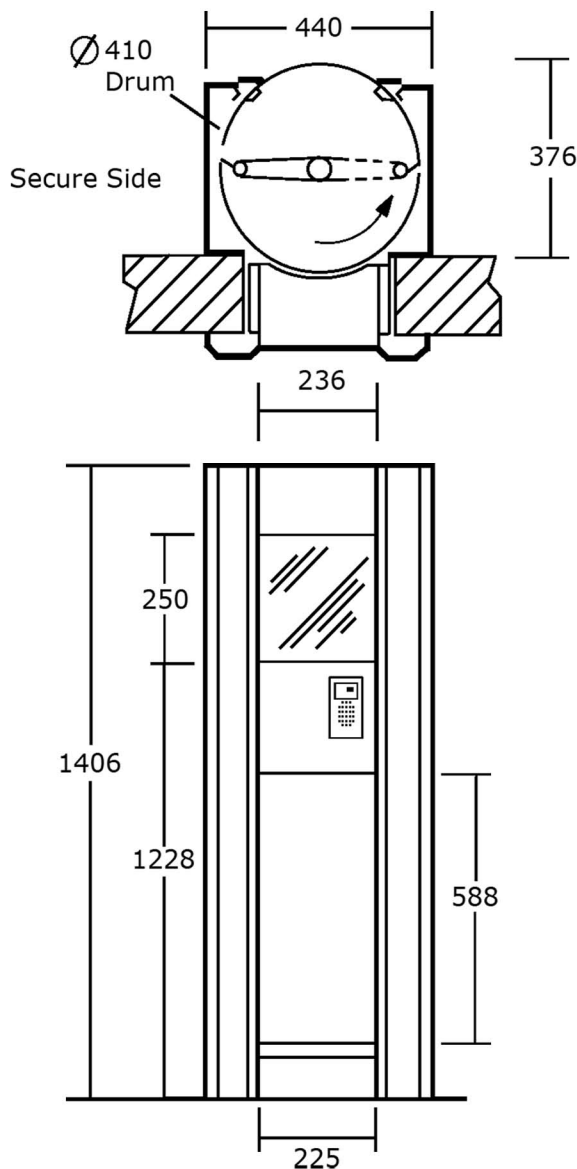
\* Full technical specifications available on request

## Additional Information

Operating the unit is simple, safe and secure. The hatch is opened and closed by a controller in the secure area via a single lever. During this process a constant ballistic overlap ensures the secure side is protected at all times.

This system is designed for use on internal walls only, and as such fits standard wall thickness of 125mm to 200mm, however other thicknesses can be accommodated to suit specific requirements.

The T-Type can be quickly installed by our trained service technicians.



Cross-Pavement  
Solutions

Interlocking  
Systems

Cash Transfer  
Stations

Bullet Resistant  
Screens & Partitions

Vehicle Systems

Armoured Security  
Vehicles

Anti-Hostage  
& Security Doors

Rotary Cash  
Transfer Units for  
internal & external  
requirements

Cashier Desks

If you have any questions regarding this, or any other Johnson Security product, we invite you to contact our offices